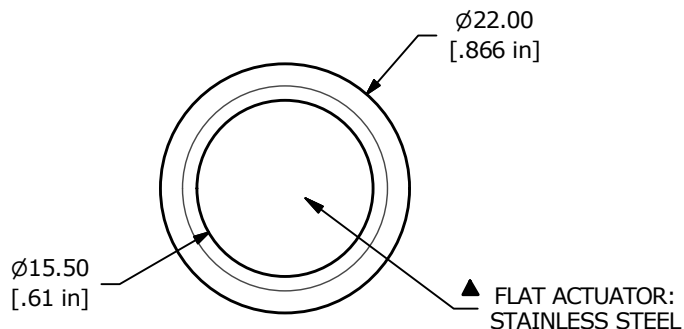


PANEL CUTOUT  
MAX. PANEL THICKNESS  
11.0mm [.43]



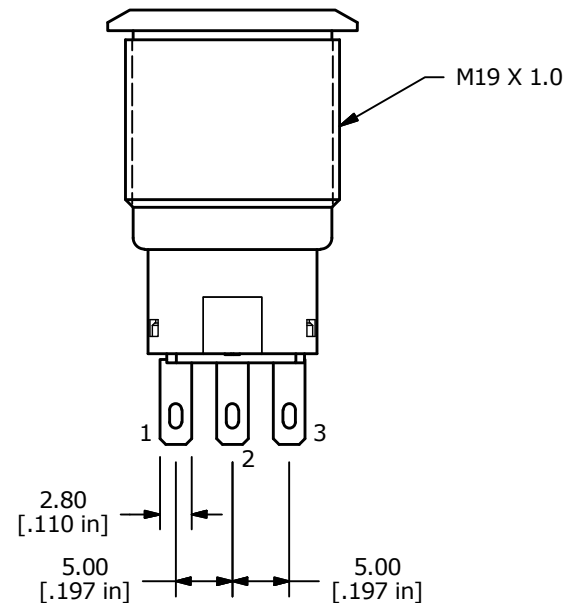
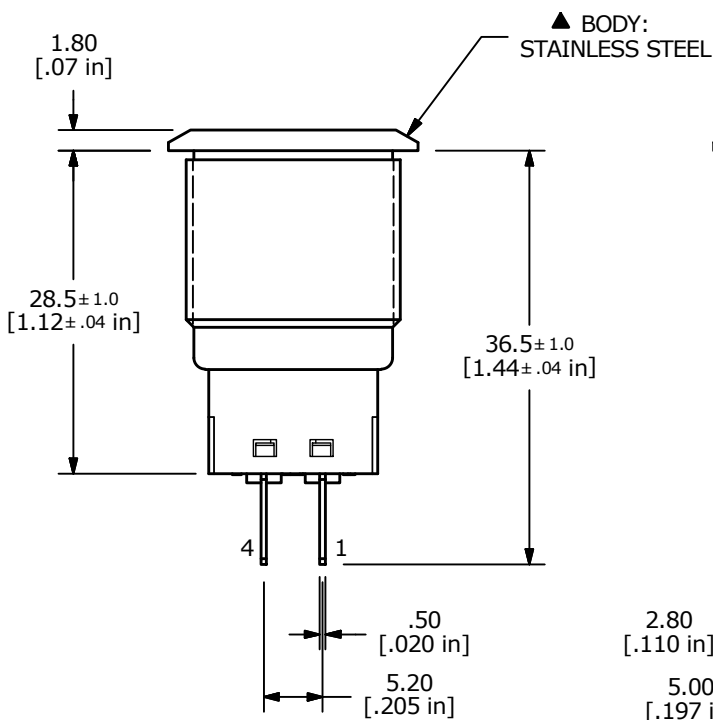
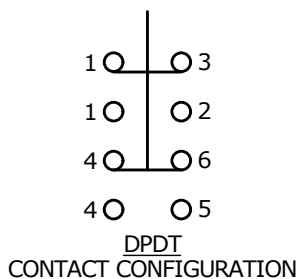
▲ FLAT ACTUATOR:  
STAINLESS STEEL



▲ SWITCH FUNCTION

POS. 1	POS. 2
ON	(ON)
1-3, 4-6	1-2, 4-5

(ON) = MOMENTARY



- NOTE:
- ALL DIMENSIONS IN MM [INCH]
  - GENERAL TOLERANCE: X.X = ±0.4  
X.XX = ±0.25
  - TERMINAL NUMBERS FOR REF ONLY
  - ▲ CONTACT MATERIAL: GOLD
  - RATING: 2A 24VDC
  - ELECTRIC LIFE: 50,000 MAKE-AND-BREAK CYCLES AT FULL LOAD.
  - INSULATION RESISTANCE: 1,000 MΩ MIN.
  - DIELECTRIC STRENGTH: 2,000 VAC MIN. FOR 1 MINUTE
  - CONTACT RESISTANCE: 50mΩ MAX. @ 1A 12VDC
  - OPERATING TEMP.: -20°C to 55°C
  - ▲ TRAVEL: 2.8mm
  - ▲ DENOTES CRITICAL PARAMETER.
  - INGRESS PROTECTION: IP65
  - ▲ HARDWARE SUPPLIED: O-RING AND HEXNUT



A	22957	RELEASE FOR PRODUCTION	8/24/17	MW
REV	PCR NO	DESCRIPTION	DATE	BY

TITLE PV4F2H0SSG				
SCALE 3:2	DATE 8/24/2017	DR MW	DWG 52-PV4F2H0SSG	REV A

THE INFORMATION CONTAINED IN THIS DOCUMENT IS PROPRIETARY TO E-SWITCH AND IS NOT TO BE COPIED OR TRANSFERRED